

Rotation (330°)

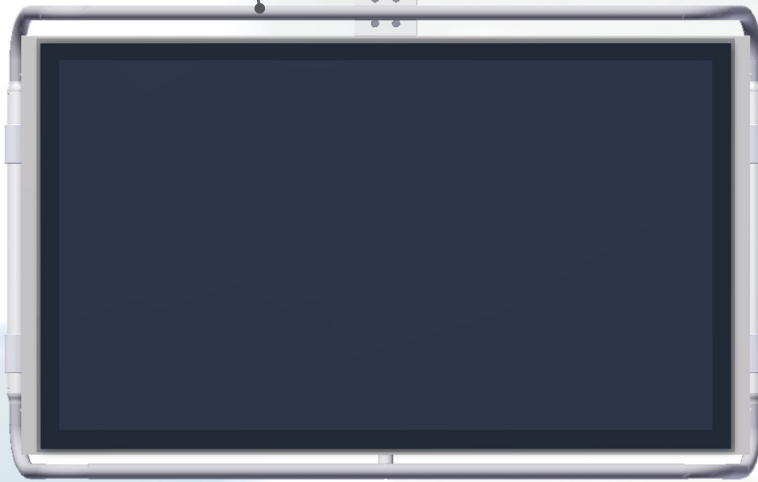
Extension Arm (1000 mm)

Rotation (330°)

Spring Arm (1240 mm)

**Monitor Support**for large screens up to 60"  
and a maximum weight load  
of up to 120.0 kg / 264.5 lbs

Rotation (330°)



Optionally prepared for monitor(s) in the back

**Article Number:**  
(according to specific configuration)GD60 monitor suspension system with extension arm, spring arm and monitor support  
for multiple monitors or one large screen up to 60"

Made in Germany

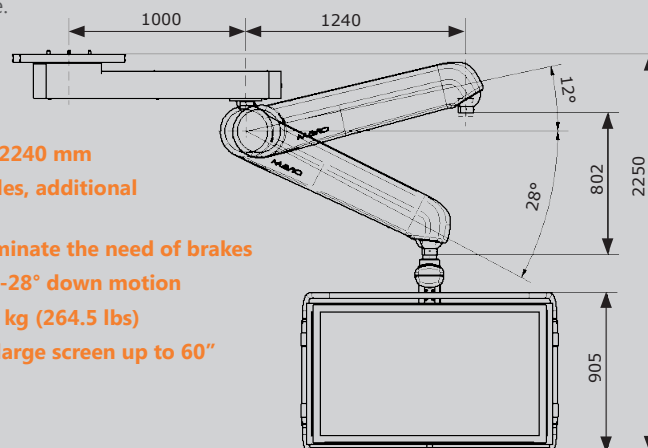


## GD60 – Monitor Suspension System with Extension Arm

The extended arm version of the GD60 allows monitors to be hung at a greater distance. This frees up ceiling space around the patient table and also keeps the system out of the sterile zone when needed.

The GD60's patented cardanic joint and none electrical movement continues to provide optimal collision protection and is virtually maintenance free.

- Maximum suspension arm reach of 2240 mm
- Internal cabling includes power cables, additional video or data cables possible
- Friction adjustable arm joints to eliminate the need of brakes
- Stationary mounted with +12° up / -28° down motion
- Weight load capacity of up to 120.0 kg (264.5 lbs)
- Supports multiple monitors or one large screen up to 60"



**MAVIG GmbH**  
X-Ray Protection and  
Medical Suspension Systems

Stahlgruberring 5  
81829 Munich  
Germany

PO Box 82 03 62  
81803 Munich  
Germany

Phone +49 (0) 89 / 420 96 - 0  
Fax +49 (0) 89 / 420 96 - 200  
e-Mail info@mavig.com